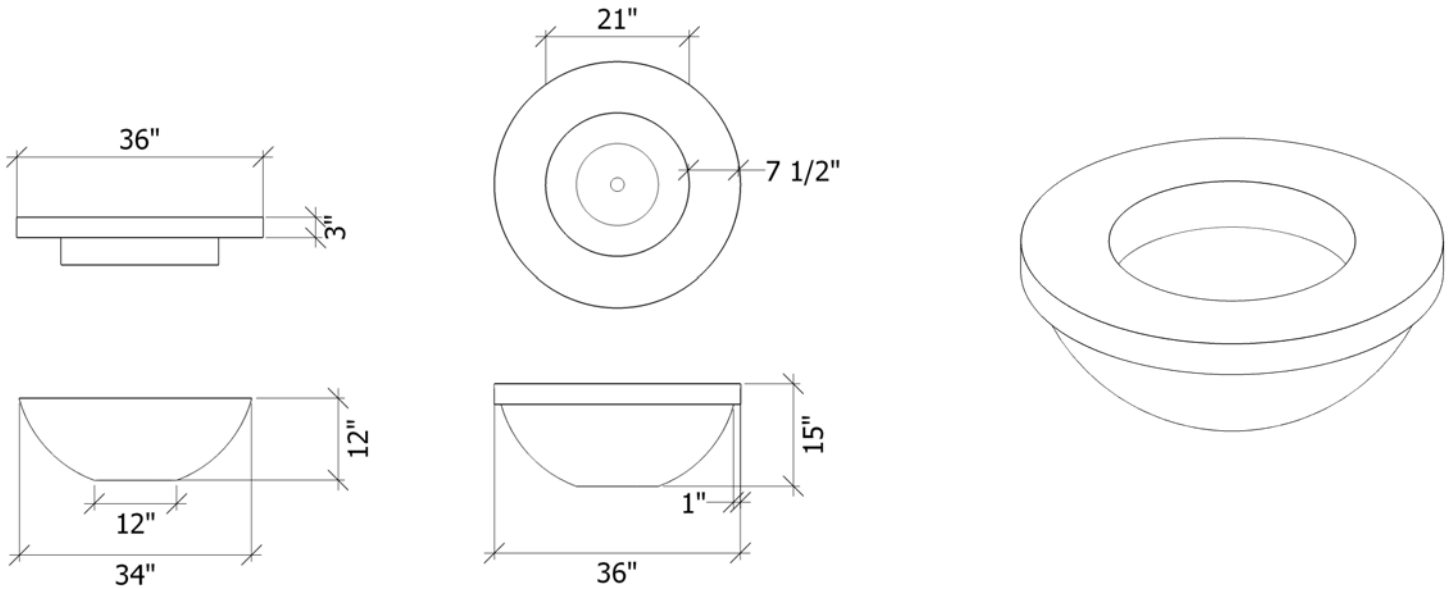


AURA



DIMENSIONS



PASSION FOR PERFECTION



Enjoy the setting of the **Aura** firebowl.

A combination of practicality and aesthetics.

AURA
PACKAGE INCLUDES:

CONCRETE FIREPIT TOP

CONCRETE FIREPIT BASE

MANUAL LIT
NG/LP BURNER

LAVA ROCK

Firepits ship fully sealed
Accessories available



Dreamcast
design and production

For more information or to get a quote please contact

Dealers Wholesale

317-849-4336

ResSales@dealerswholesale.com