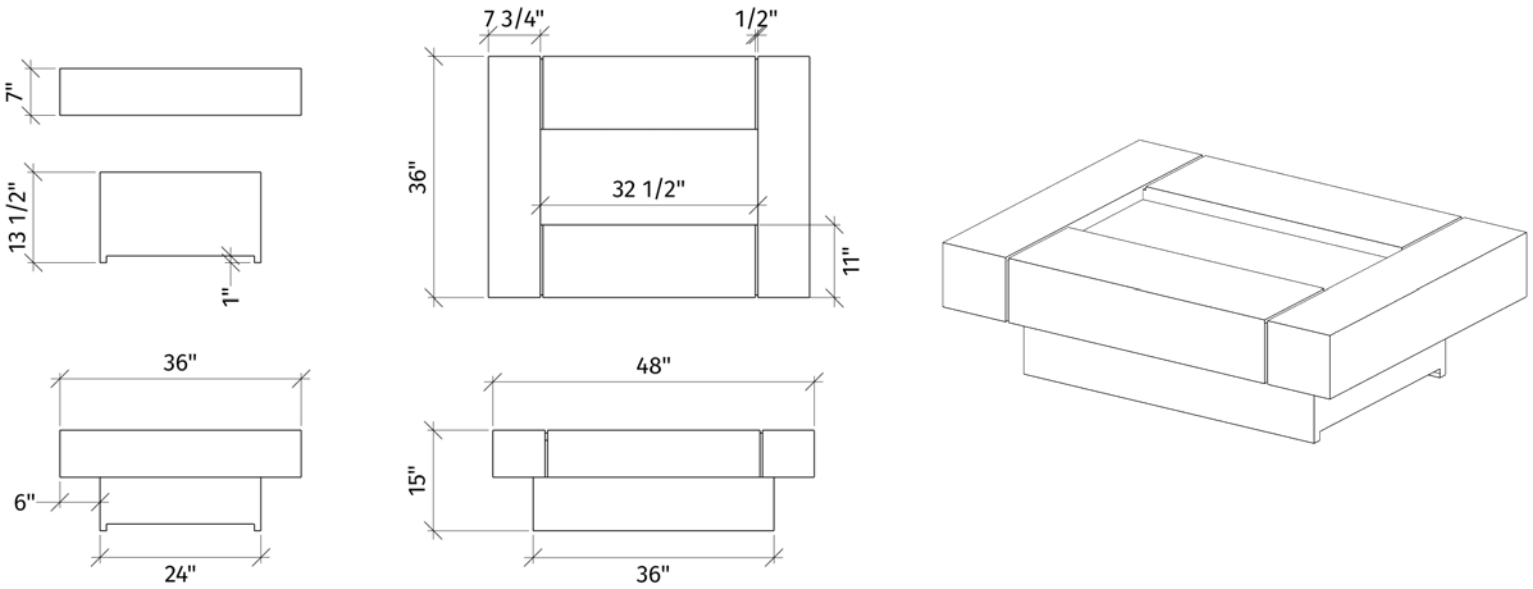


# QUADRA

-48in-



## DIMENSIONS



## COMFORTABLE LIVING



Designed to enhance outdoor entertainment areas, the highly expressive **Quadra** Firetable helps define the modern patio.

QUADRA 48"  
PACKAGE INCLUDES:

CONCRETE FIREPIT TOP  
CONCRETE FIREPIT BASE

MANUAL LIT  
NG/LP BURNER

LAVA ROCK

Firepits ship fully sealed  
Accessories available



**Dreamcast**  
design and production

For more information or to get a quote please contact  
Dealers Wholesale  
317-849-4336

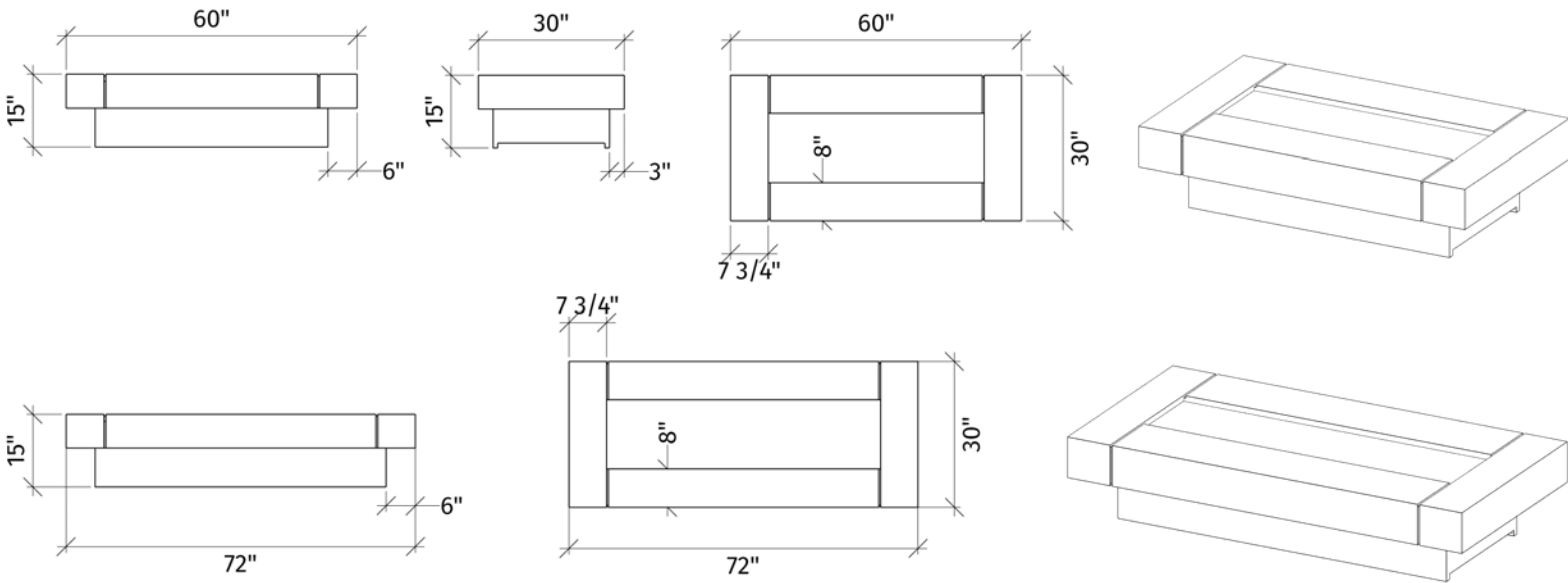
[ResSales@dealerswholesale.com](mailto:ResSales@dealerswholesale.com)

# QUADRA

-60in + 72in-



## DIMENSIONS



## COMFORTABLE LIVING



Designed to enhance outdoor entertainment areas, the highly expressive **Quadra** fire table helps define the modern patio.

### QUADRA PACKAGE INCLUDES:

CONCRETE FIREPIT TOP  
CONCRETE FIREPIT BASE

MANUAL LIT  
NG/LP BURNER

LAVA ROCK

Firepits ship fully sealed  
Accessories available



**Dreamcast**  
design and production